

# Fan-Tastic - NXT

## *Suggested Time*

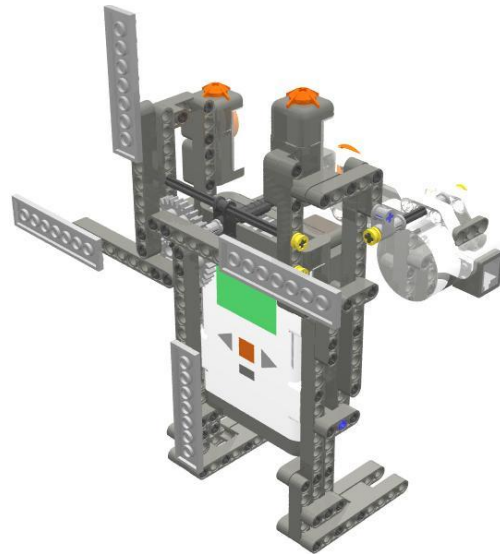
60 minutes

## *Age*

11 - 18

## *Challenge*

In this activity, design and construct an NXT fan with 2 touch sensors and program it to run at variable speeds and have a start/stop function.



## *Topics*

Touch Sensors & Power Levels

## *Subjects*

Math, Engineering & Technology

## *Programming Themes*

Motor Forward, Task Split, Jumps / Lands, Wait for Touch, Power Levels

## *Related Math & Science Concepts*

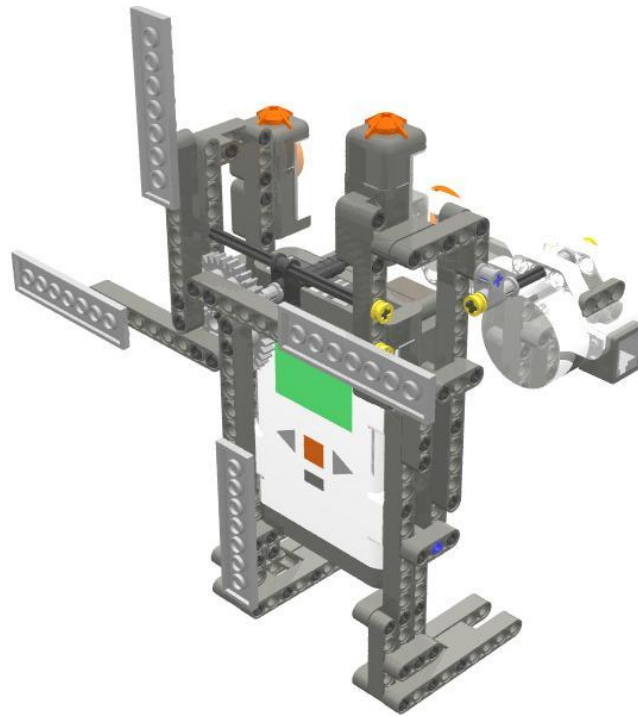
- Gears
- Acceleration
- Velocity

## *Materials*

- NXT
- Assortment of LEGO Technic pieces

***Building Instructions***

1. Build a sturdy fan which is composed of two touch sensors.



***Programming Instructions***

1. Using LEGO NXT Software, use 2 touch sensors to control fan speed and stop / start functioning.

