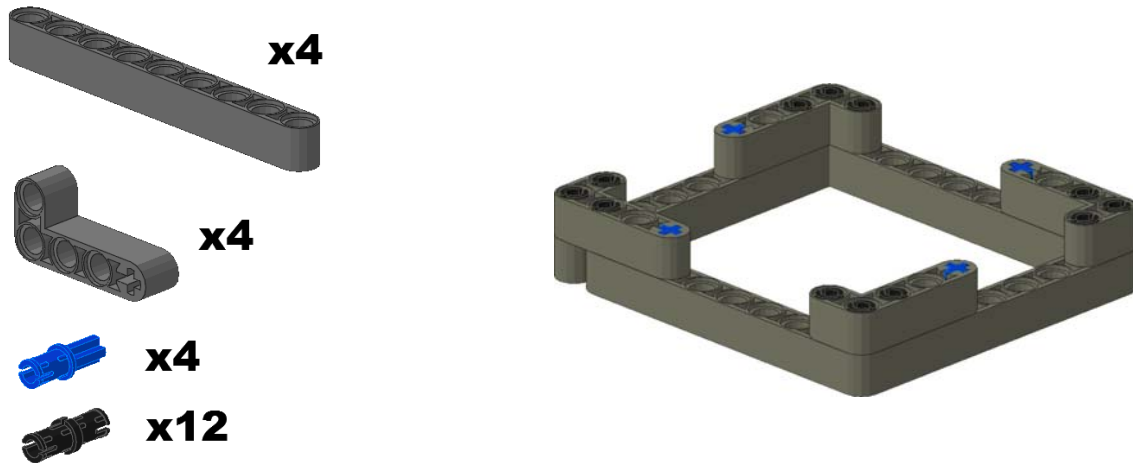
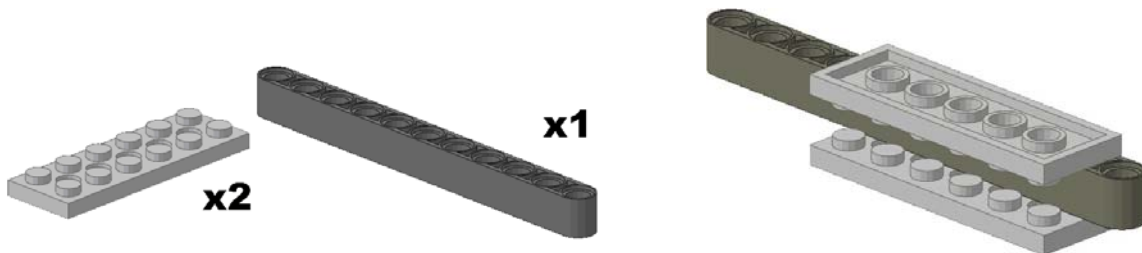


I. Simple Shapes and Structures

1. Square



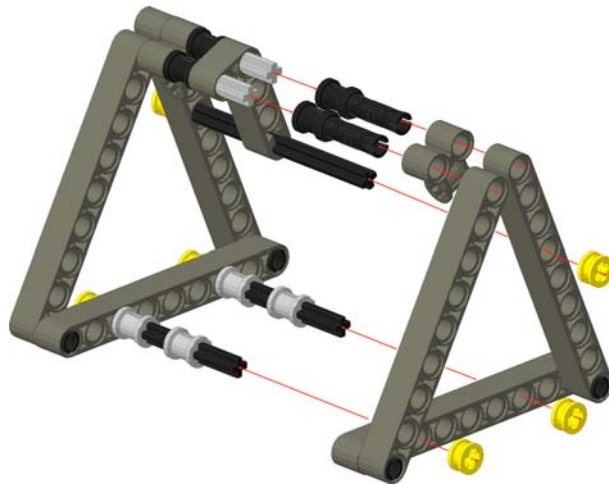
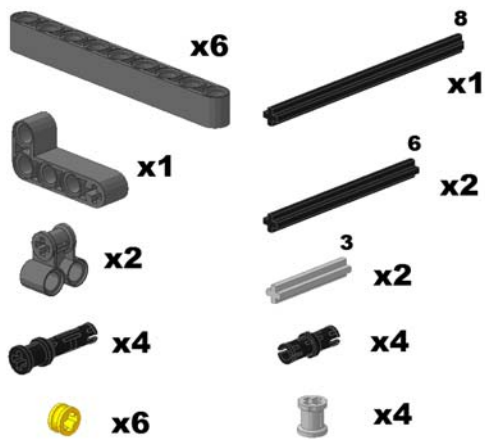
2. Reversing Trick



3. Cube



6. Triangles - Option 1



Option 2

