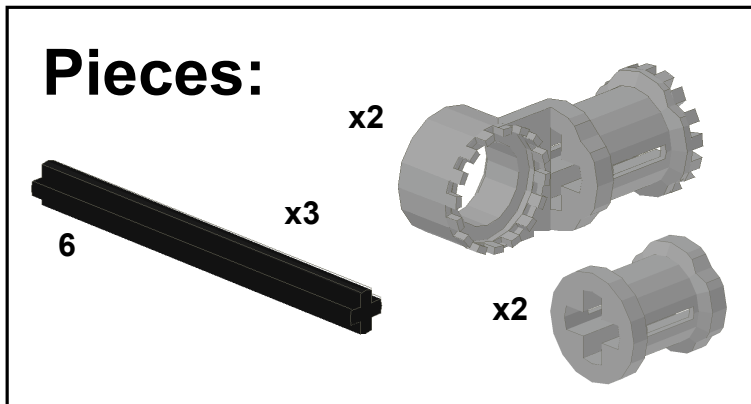


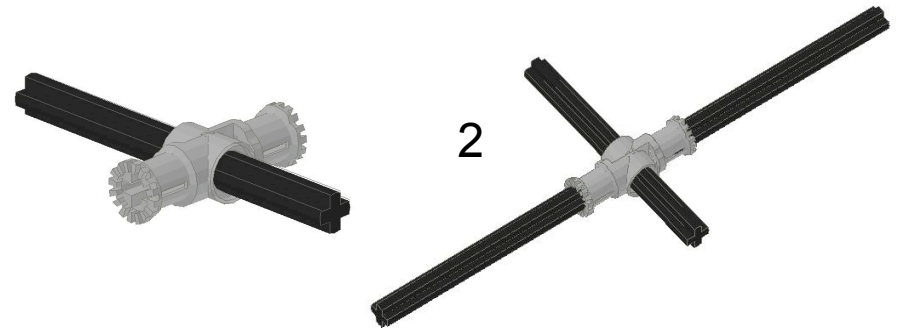
Changing Axis:

Stationary Legos

Toggle Joint



Type
1Key
Words:



3



Type
2Key
Words:



Note: This type of toggle joint can lock into position at an arbitrary angle.

