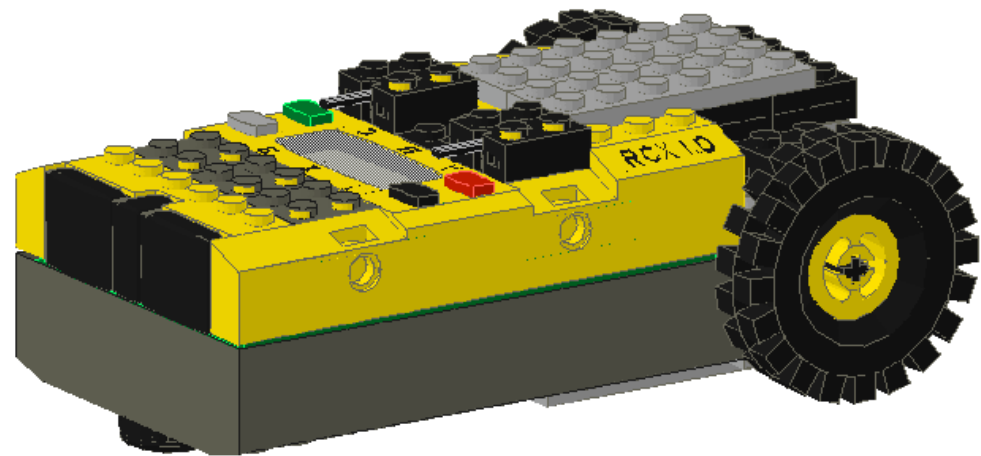


Our Favorite Things

Simple Two Motor Car

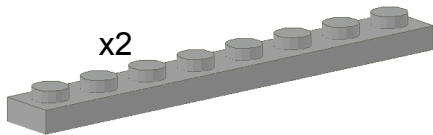
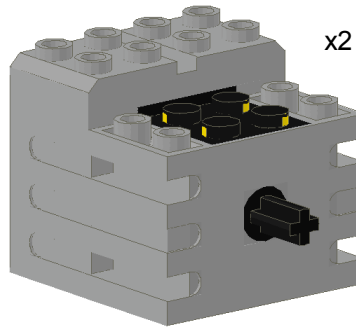
Pieces:



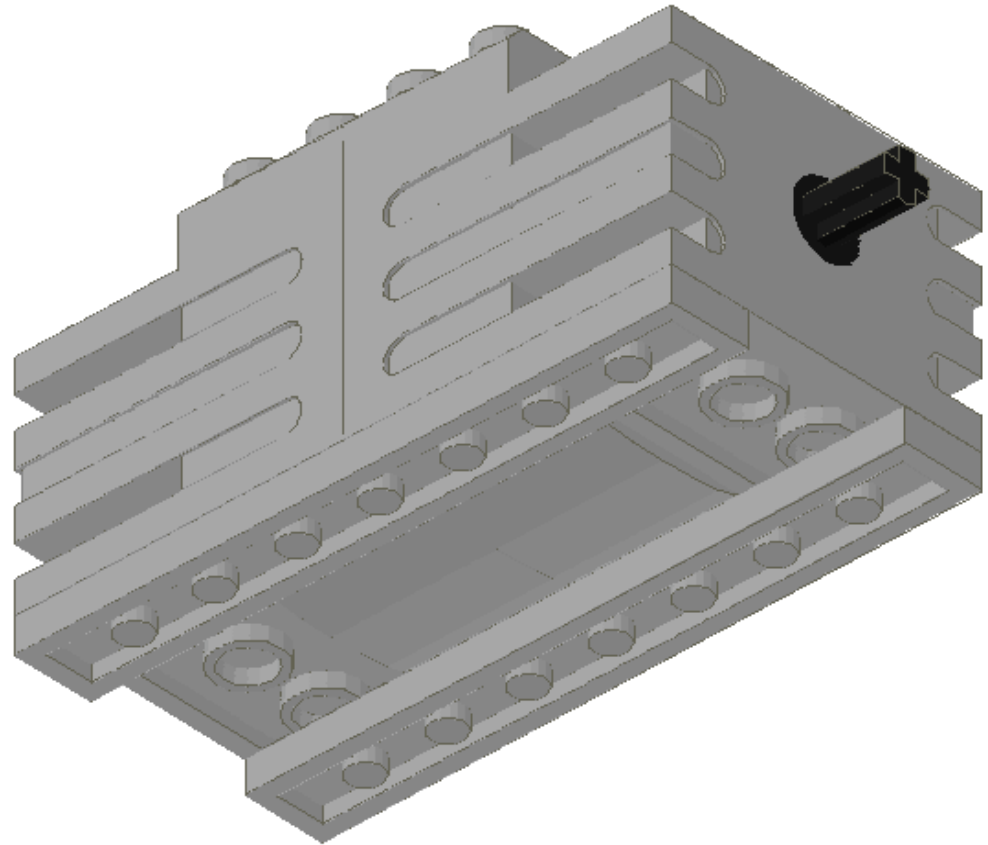
Our Favorite Things

Simple Two Motor Car

Pieces:



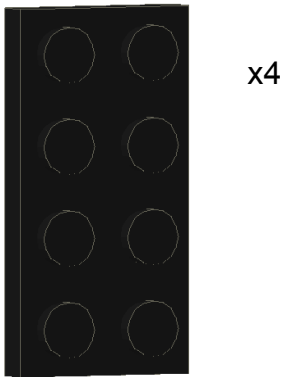
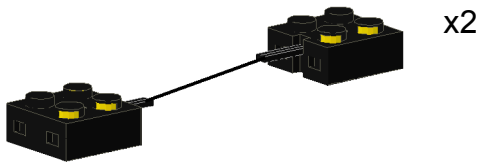
1



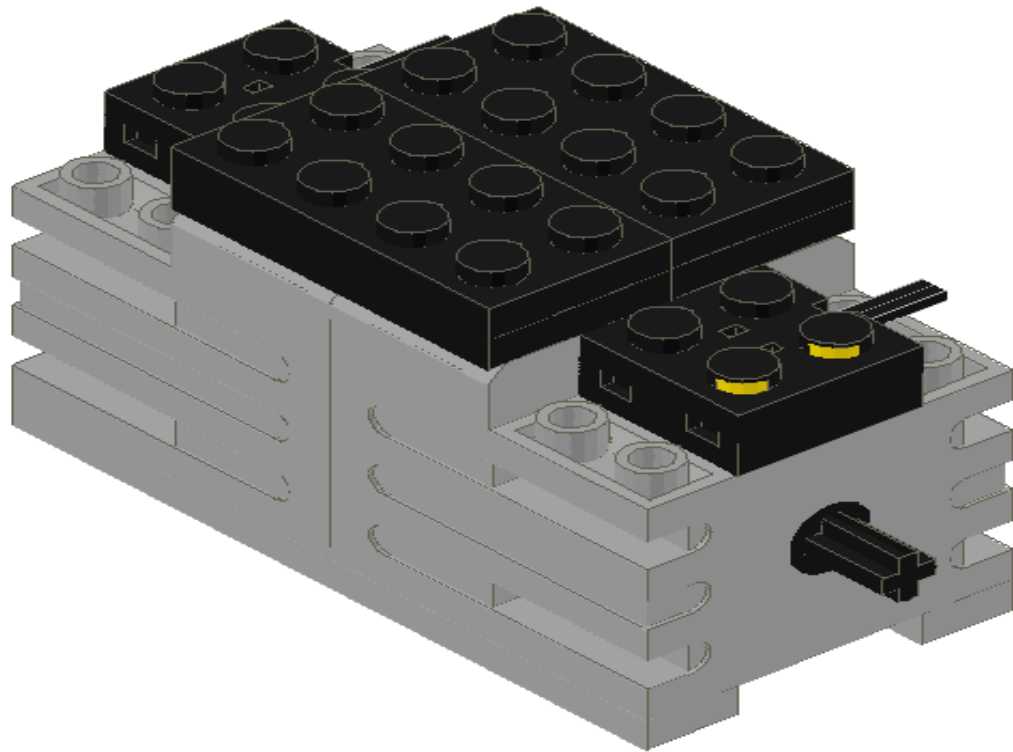
Our Favorite Things

Simple Two Motor Car

Pieces:



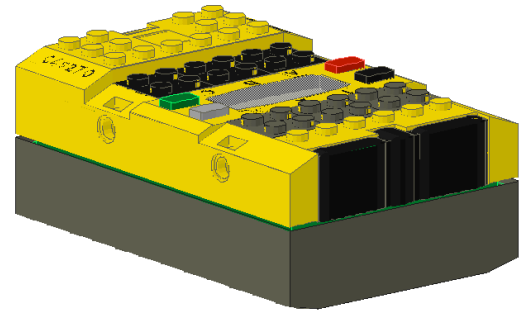
2



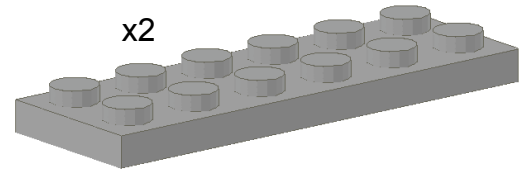
Our Favorite Things

Simple Two Motor Car

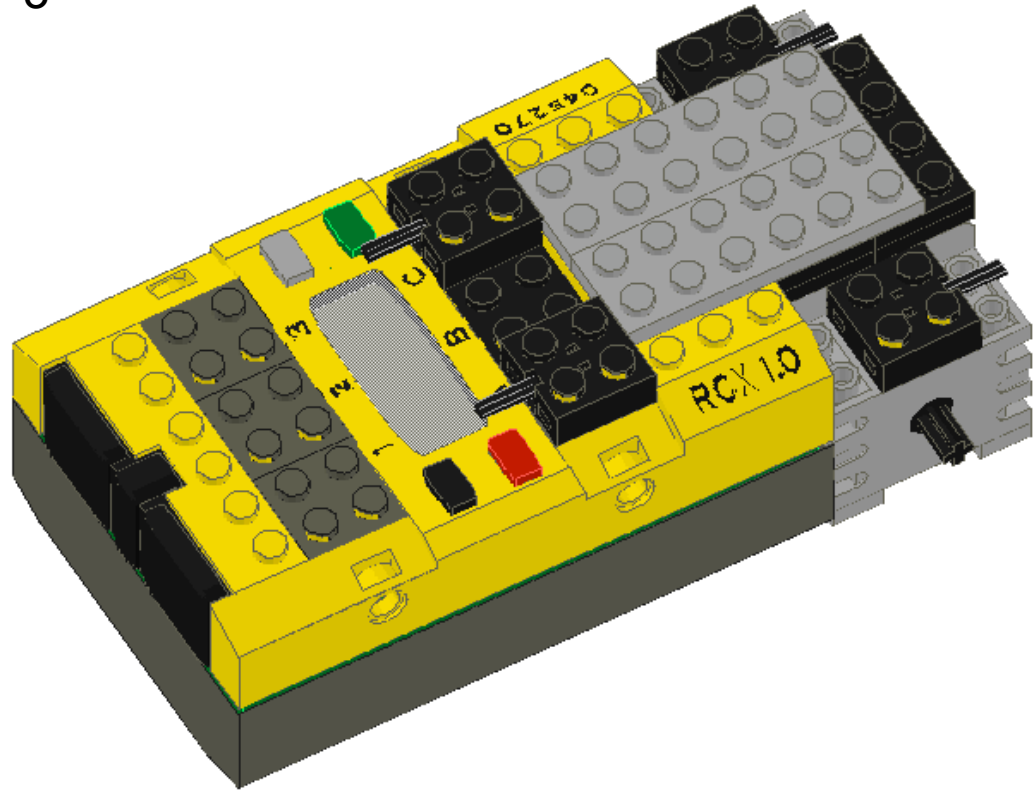
Pieces:



x2



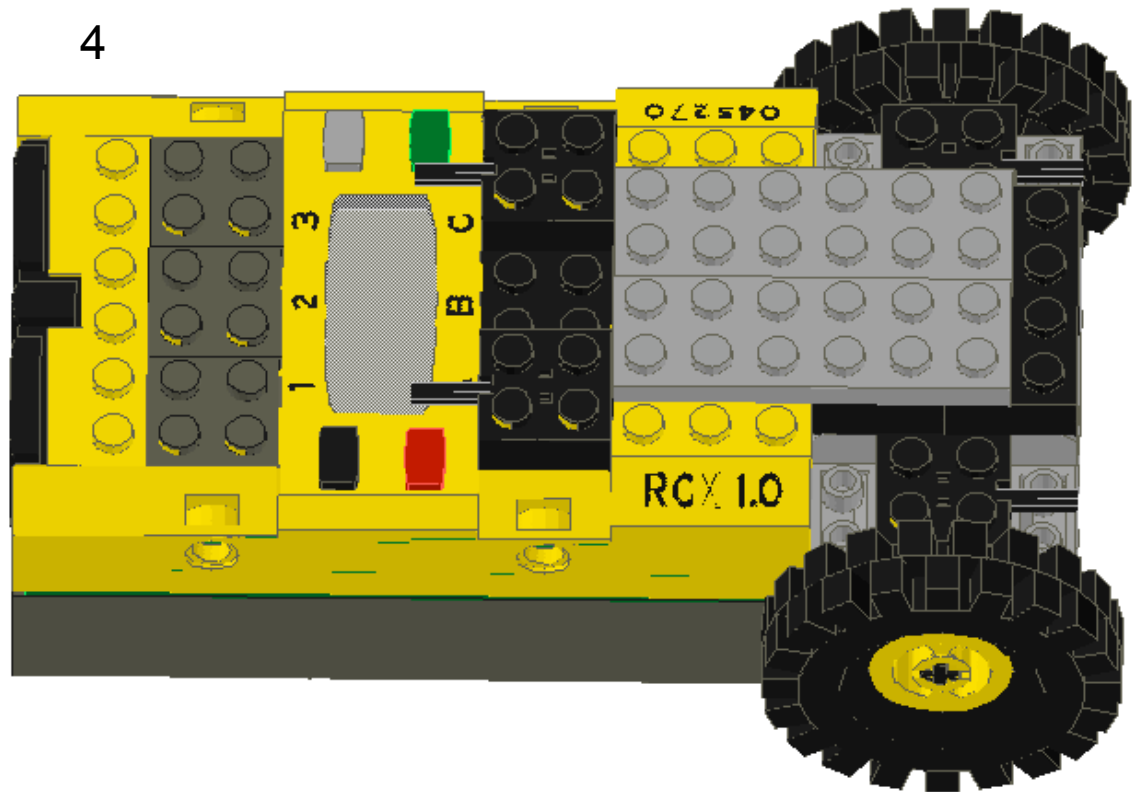
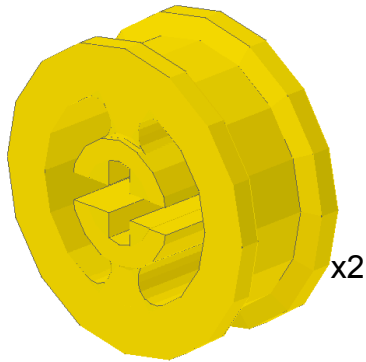
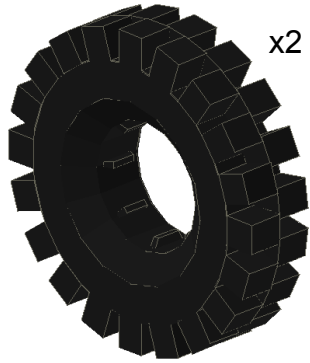
3



Our Favorite Things

Simple Two Motor Car

Pieces:

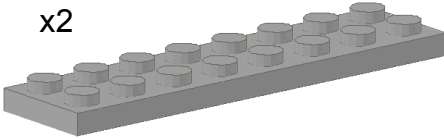


Our Favorite Things

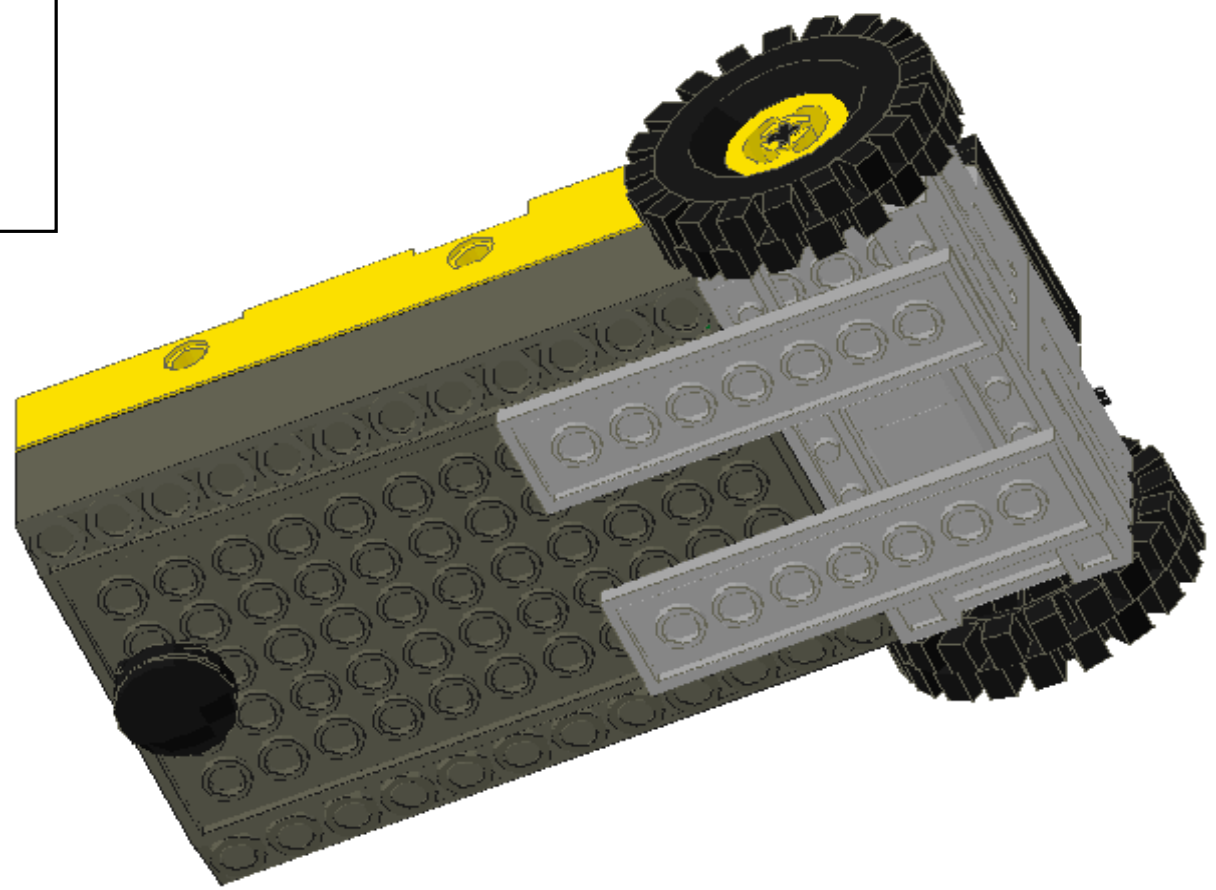
Simple Two Motor Car

Pieces:

x2



5



Our Favorite Things

Simple Two Motor Car

Note: To make your car turn easily program it so that the motors turn in opposite directions when the car is turning.

6

