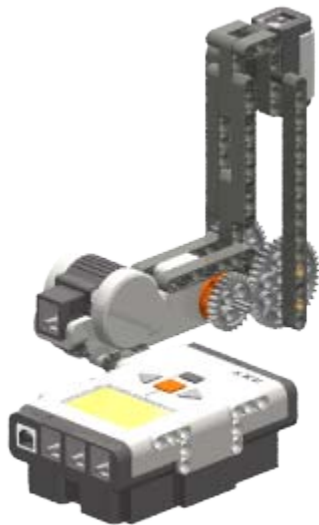
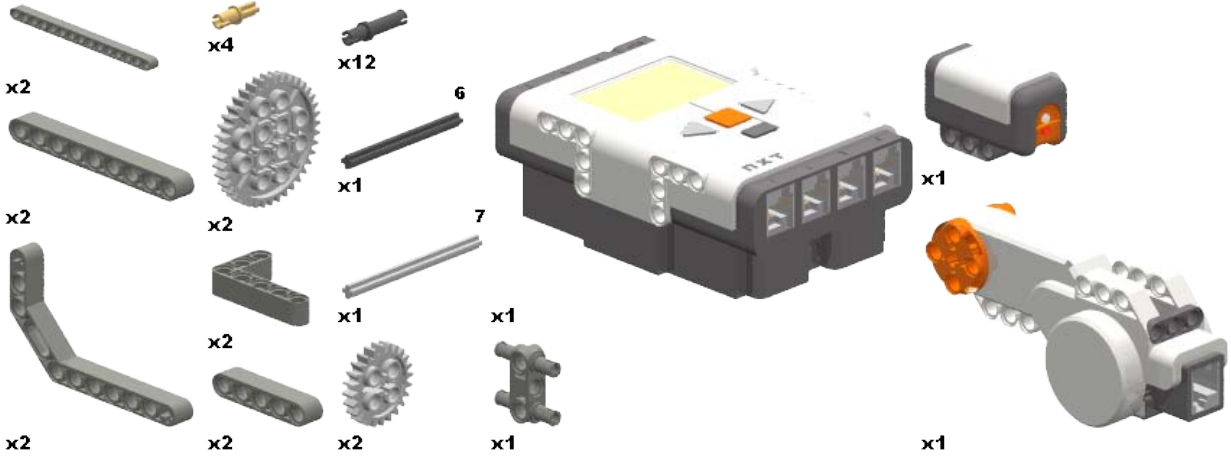


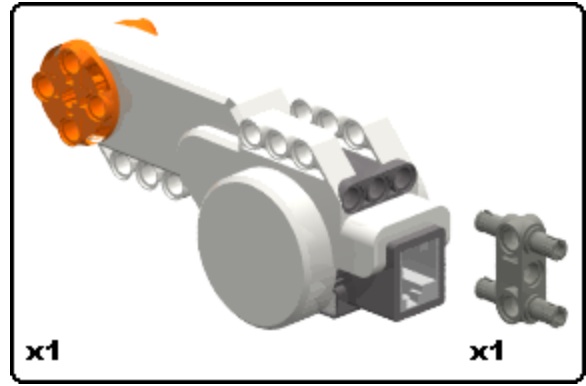
Light Sensor Arm Building Instructions



Materials Needed



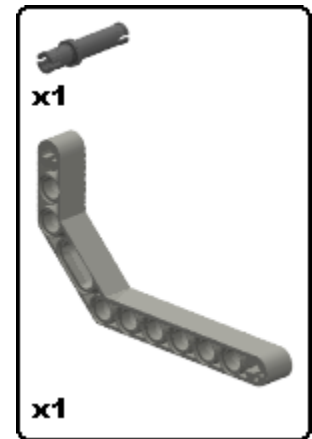
1



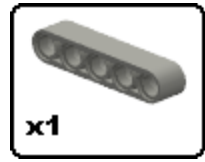
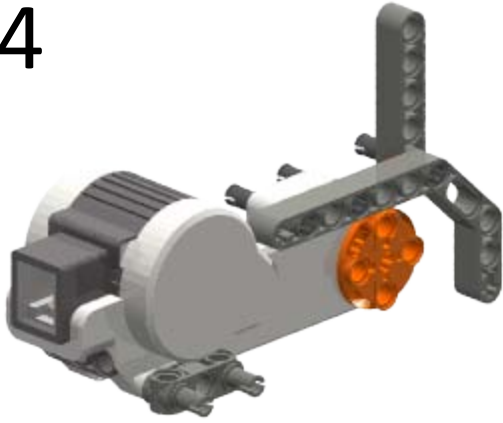
2



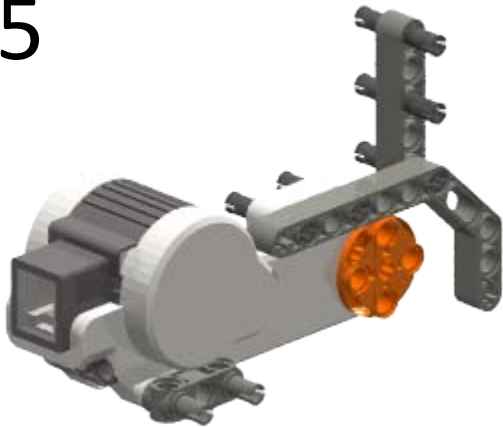
3



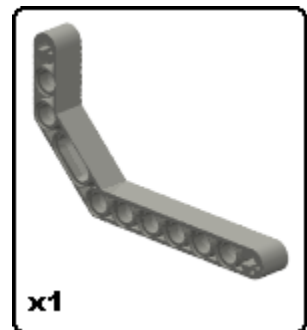
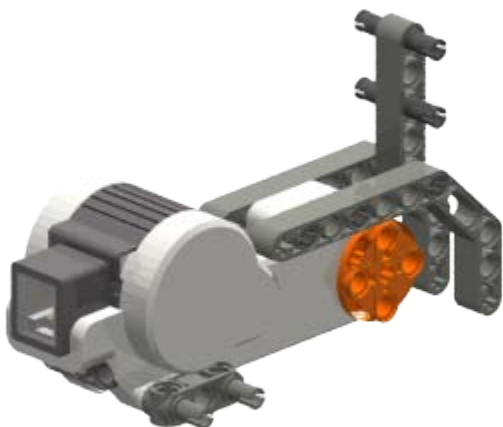
4



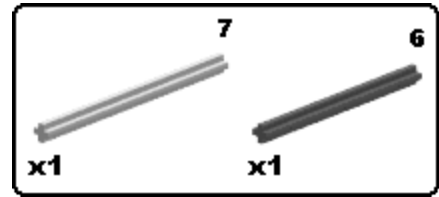
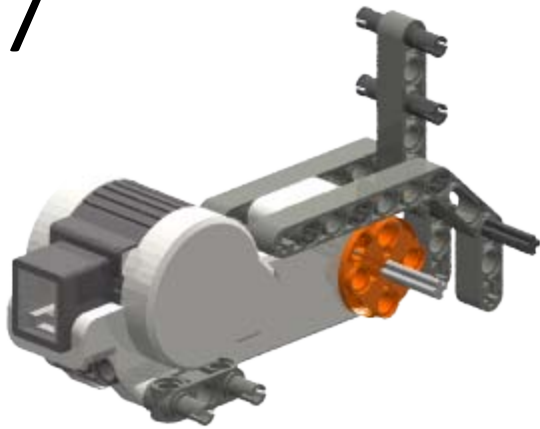
5



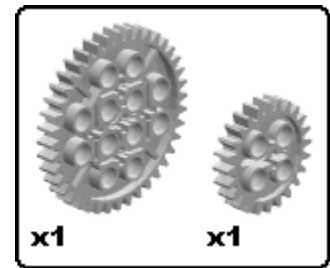
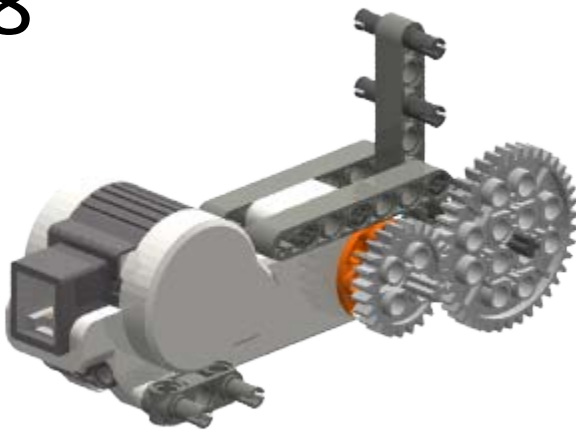
6



7

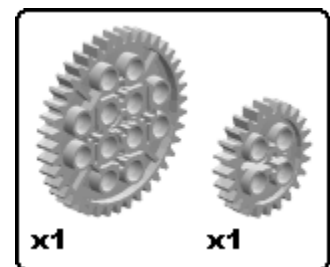


8

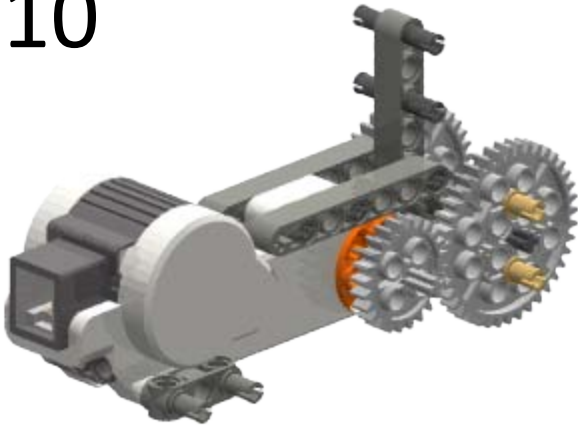


9

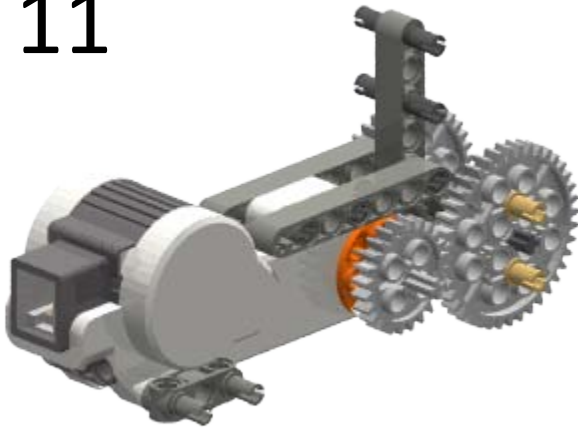
Put a second pair of gears on the opposite side.



10



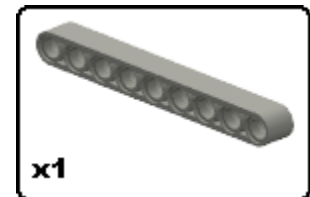
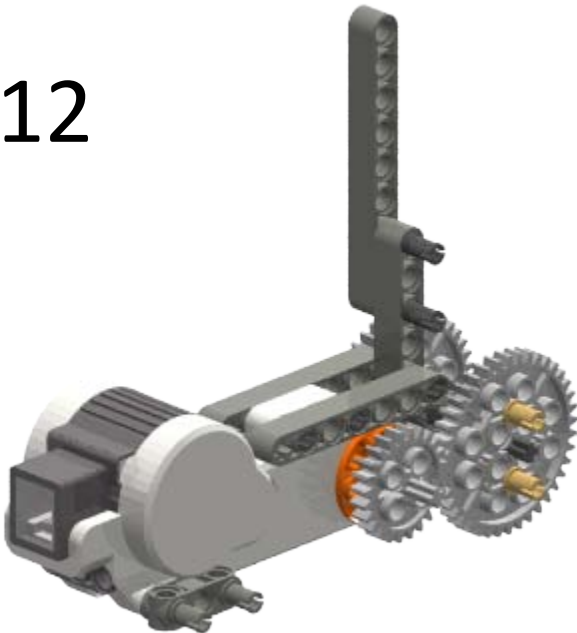
11



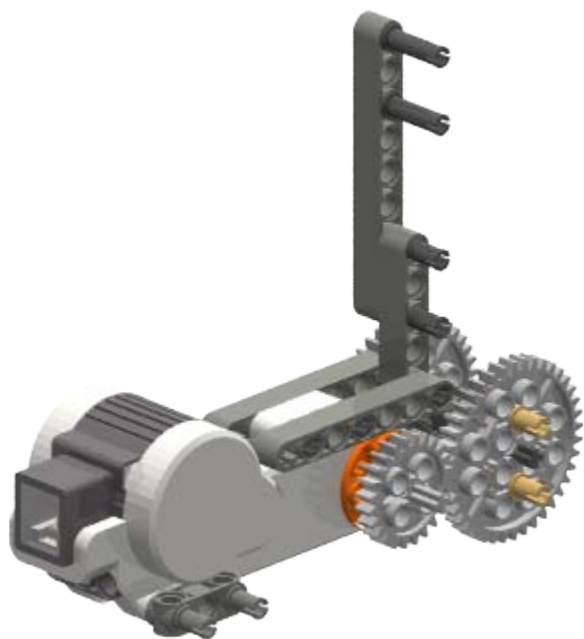
Put a second pair of pins
on the opposite side.



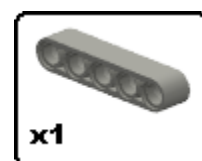
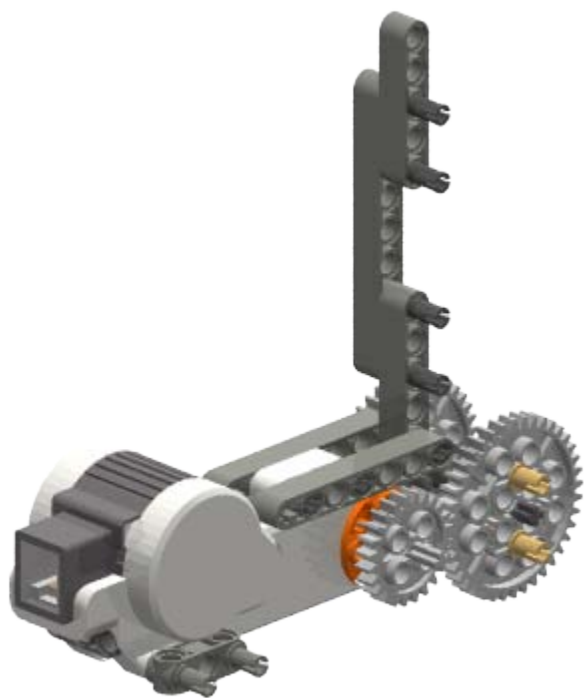
12



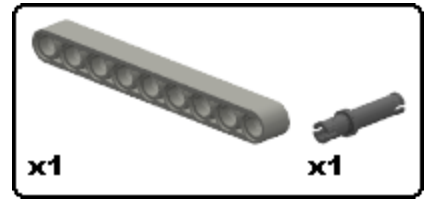
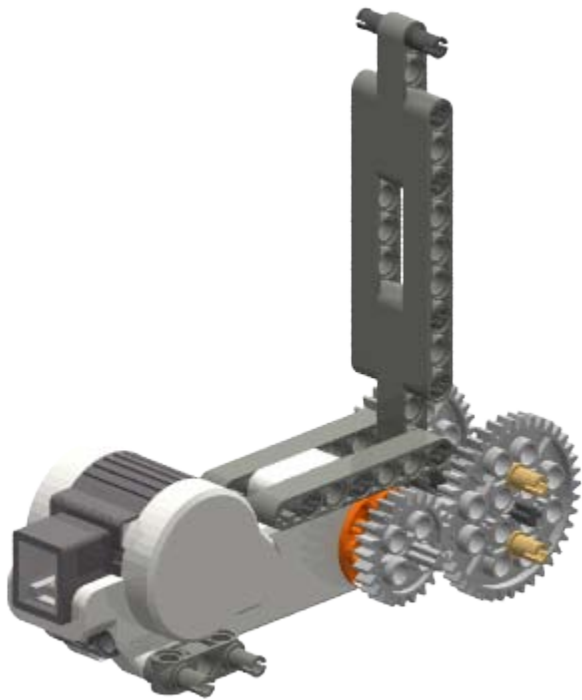
13



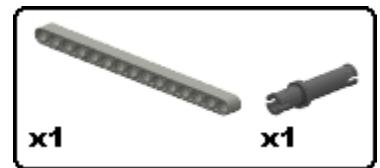
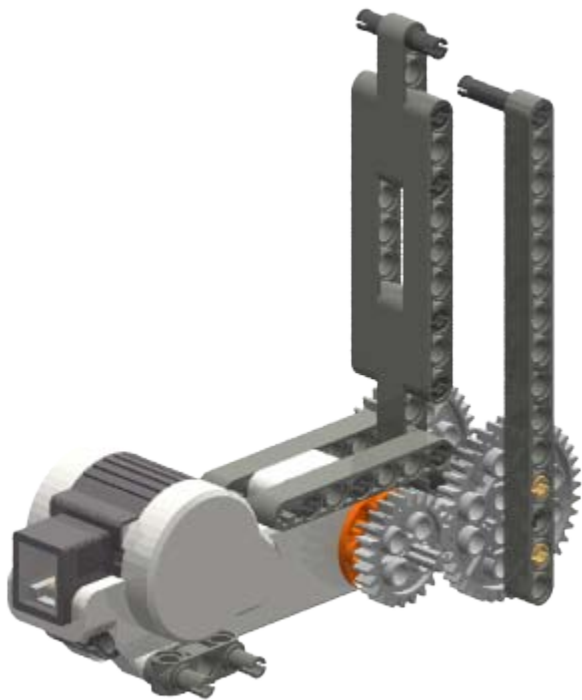
14



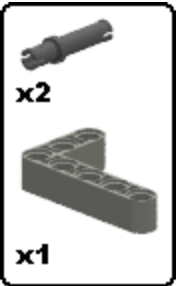
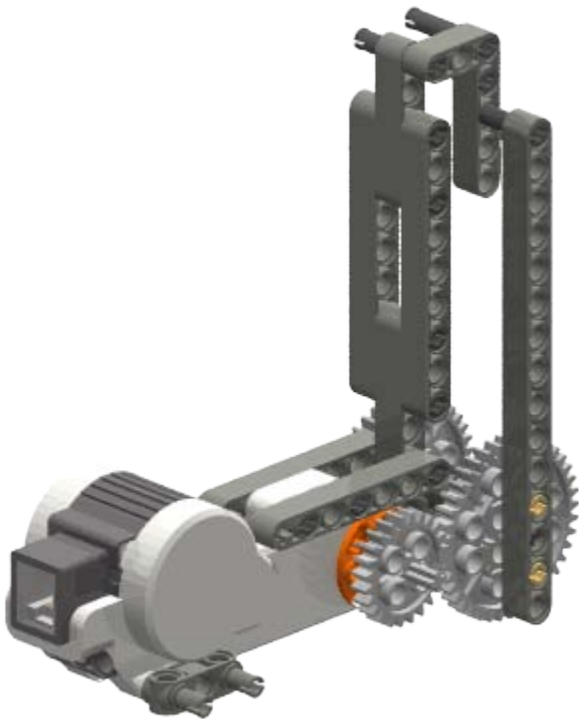
15



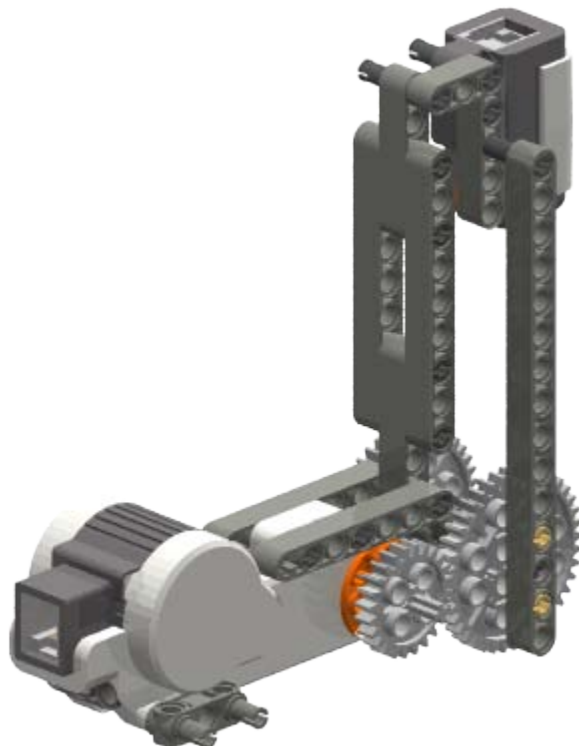
16



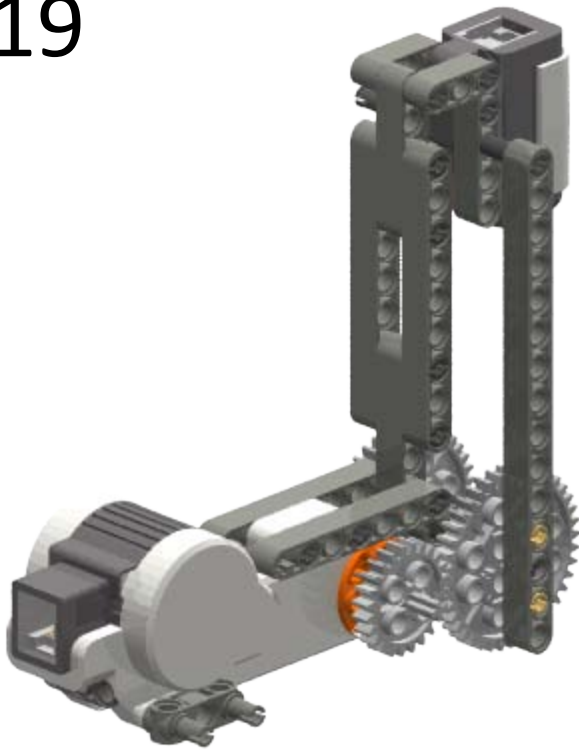
17



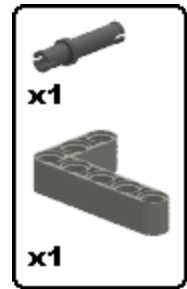
18



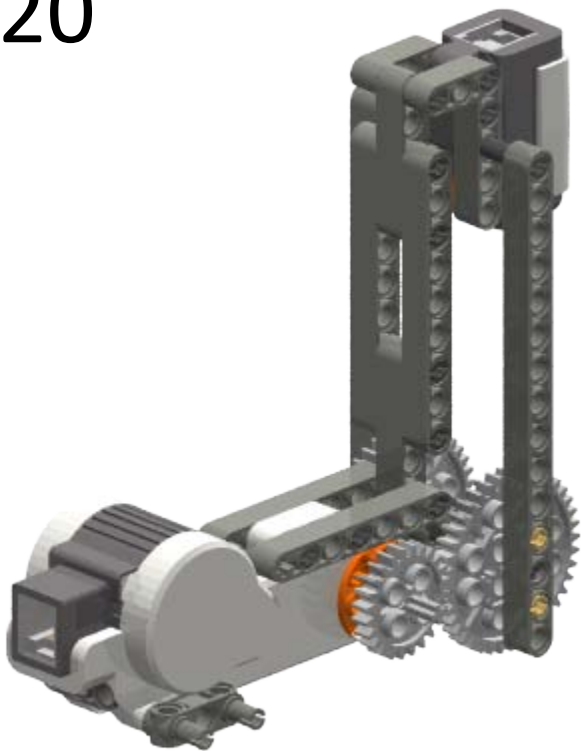
19



Put a second L
on the opposite side.



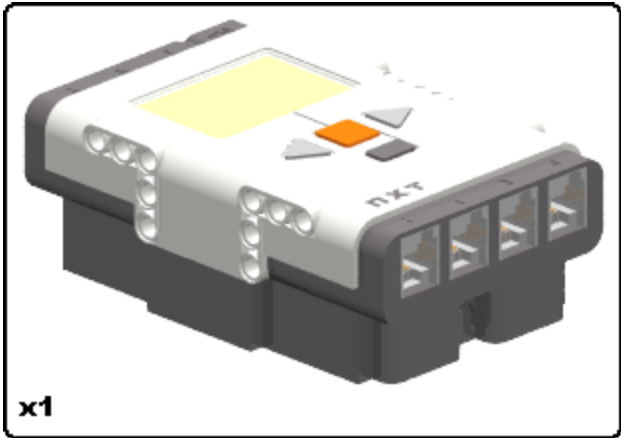
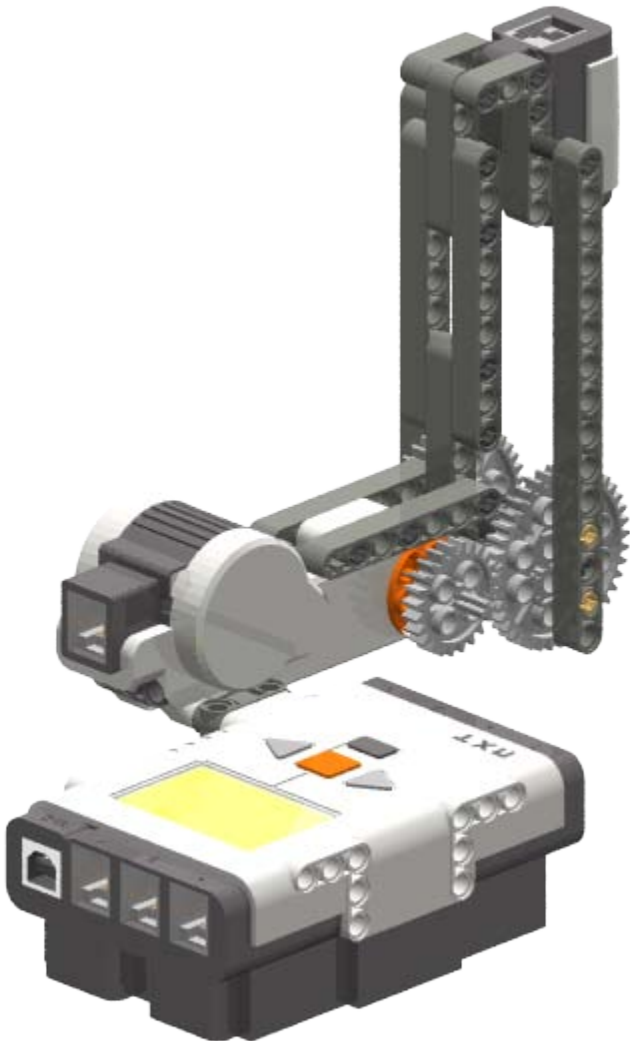
20



Put a second beam
on the opposite side.



21



Complete

